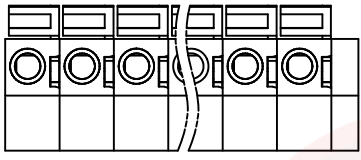


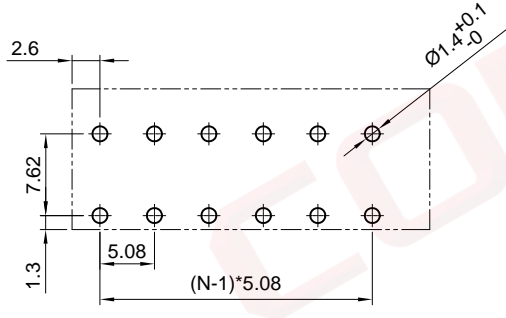
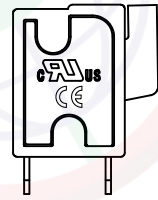
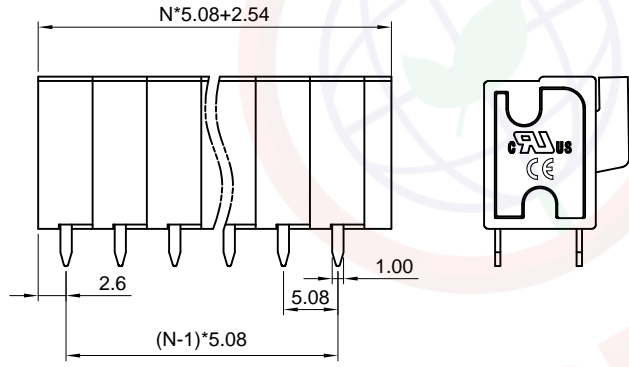
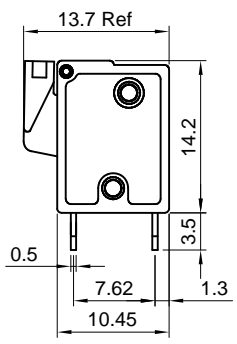
Dept	Qty
DC	1
ED	1
IE	1
ISO	1
PD	1
R&D	1
SD	1
QA	1
QC	1
QE	1

The information provided herein is from CONNELY Electronic Co., Ltd. and is confidential. Any disclosure to a party other than the recipient is prohibited. The intellectual properties and its rights contained herein, including but not limited to, trademarks, patents, copyrights, trade secrets, and technical know-how, are owned exclusively by CONNELY or its affiliates. Unauthorized use or reproduction of any part of this document for any purpose without the prior written permission of CONNELY is strictly prohibited. CONNELY may enforce its intellectual property rights at its own discretion, failures or delays to exercise such rights does not constitute a waiver of such rights.

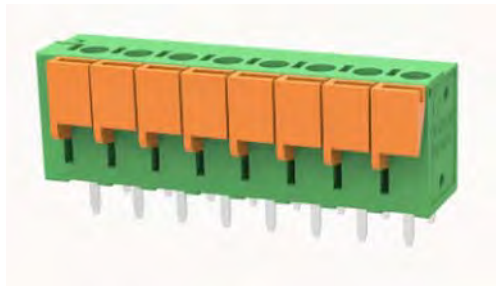
REV.	DESCRIPTION	DRAWN	CHECKED	APPROVED
A	NEW RELEASE	JLZ 05/30/22'		



N=No.of contacts



Recommend PCB layout
(Tolerance:±0.05)



(Series Image-Reference Only)

NOTES:
 Standard UL
 Rated voltage:300V
 Rated current:10A
 Wrth standing voltage:AC1600V/1 Min
 Wire range:22~14AWG
 Standard IEC
 Rated voltage:250V
 Rated current:15A
 Wire range:1.5mm²
 Temp.Range:-40°C~+105°C
 Steip Length:11mm
 Pitch:5.08mm
 Poles:1~24P
 Materials:
 Contact: Copper Alloy,Tin plated.
 Insulator: Nylon.
 Product Number Code:
 DS1159-05 - X X X

— X X X
 — Contact plating
 6: Tin
 — Housing color
 G:Green
 — No.of contacts
 1-24

GENERAL TOLERANCE		ANGLE TOLERANCE	
X.	±0.60	X.	±5°
.X	±0.38	.X	±3°
.XX	±0.25	.XX	±2°
DRAWING TYPE		CUSTOMER	
SCALE	1:1	SHEET	1 OF 1
DRAWING NO.	C-DS1159-05-XXX-A		

PROJECTION		TITLE	
UNITS	mm	5.08mm Spring Type PCB Terminal Block	
SHEET SIZE	A4	SERIES	DS1159-05 SERIES

晨翔电子有限公司
 CONNELY CONNELY ELECTRONIC CO. LTD