



TAI-SAW TECHNOLOGY CO., LTD.

No. 3, Industrial 2nd Rd., Ping-Chen Industrial District,
Taoyuan, 324, Taiwan, R.O.C.

TEL: 886-3-4690038 FAX: 886-3-4697532

E-mail: ttsales@mail.taisaw.com Web: www.taisaw.com

Approval Sheet For Product Specification

Issued Date: 2002/12/18

Product Name: SAW Resonator 433.92 MHz

TST Parts No.: TC433EDB

Customer Parts No.: _____

Company: _____
Division: _____
Approved by : _____
Date: _____

Checked by: Vincent Chiu

Approval by: Francis Chen

Date: 2002/12/18



TAI-SAW TECHNOLOGY CO., LTD.

No. 3, Industrial 2nd Rd., Ping-Chen Industrial District,
Taoyuan, 324, Taiwan, R.O.C.

TEL: 886-3-4690038 FAX: 886-3-4697532

E-mail: tstsales@mail.taisaw.com Web: www.taisaw.com

SAW Resonator 433.92 MHz

Model No.: TC433EDB

Rev. No.:2

A. Features:

- 1-Port Resonator.
- SMD 5.0x5.0x1.6mm package size.

RoHS Compliant
Lead free
Lead-free soldering

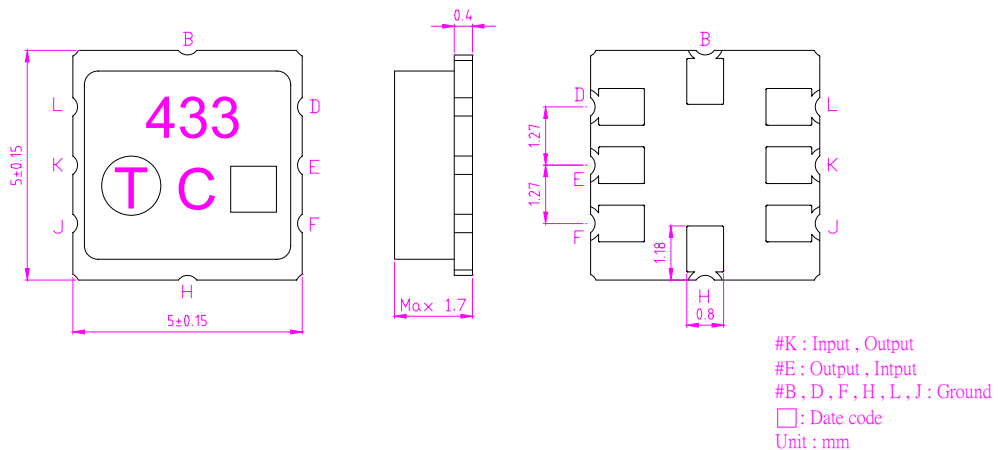
B. Maximum Rating:

- Power Dissipation: 0 dBm.
- DC voltage: 12 V.
- Storage Temperature: -40 °C to 85 °C.
- Operating Temperature: -40 °C to 85 °C.

C. Electrical Characteristics:

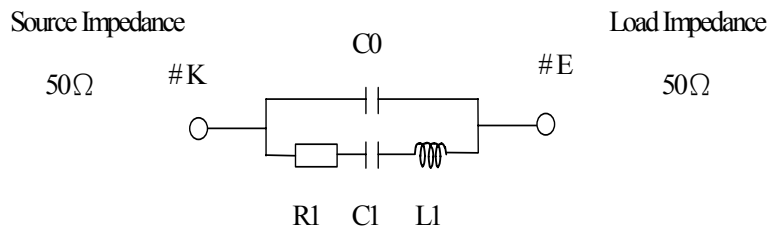
Characteristic	Units	Minimum	Typical	Maximum
Center Frequency, Fr	MHz	433.845	433.92	433.995
Insertion Loss, IL	dB	-	1.0	2.0
Unloaded Quality factor, QU		-	14500	-
Loaded Quality factor, QL		-	2500	-
Equivalent Circuit Elements				
Motional Capacitance, Cm	fF	-	2.19	-
Motional Inductance, Lm	μH	-	61.36	-
Motional Resistance, Rm	Ω	-	11.803	25
Shunt Static Capacitance, Co	pF	-	3.3	3.6
Temperature Coefficient	ppm/K²	-	0.032	-

D. Outline Drawing:

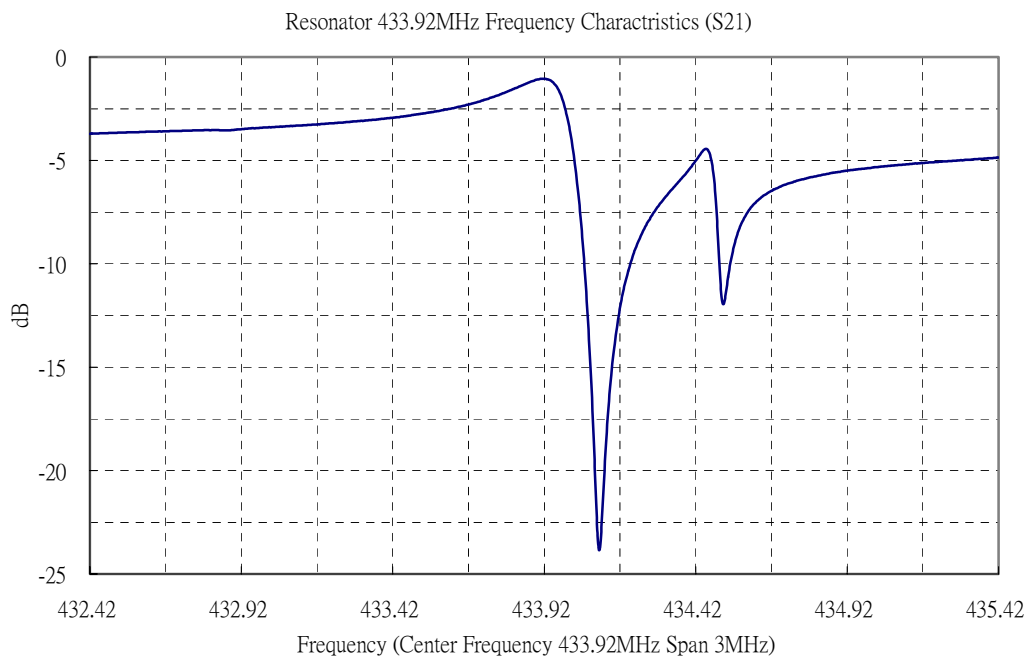


E. Equivalent Circuit:

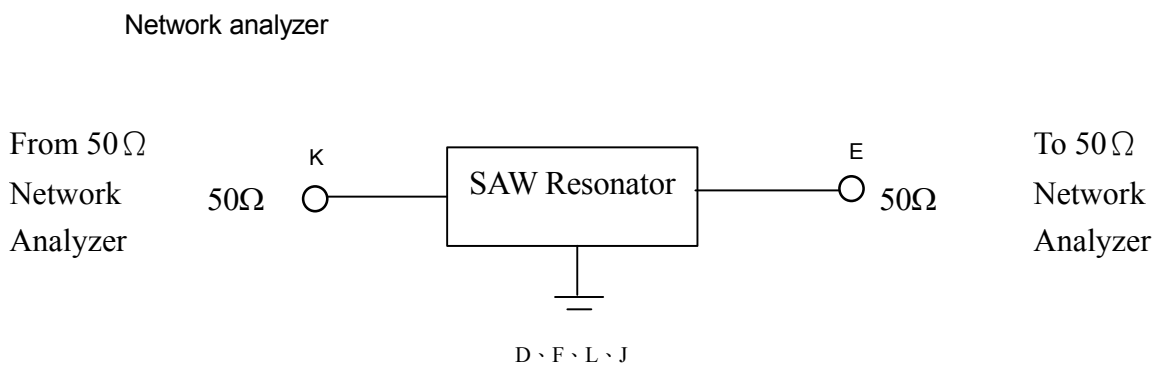
One-Port Resonator:



F. Frequency Characteristics:

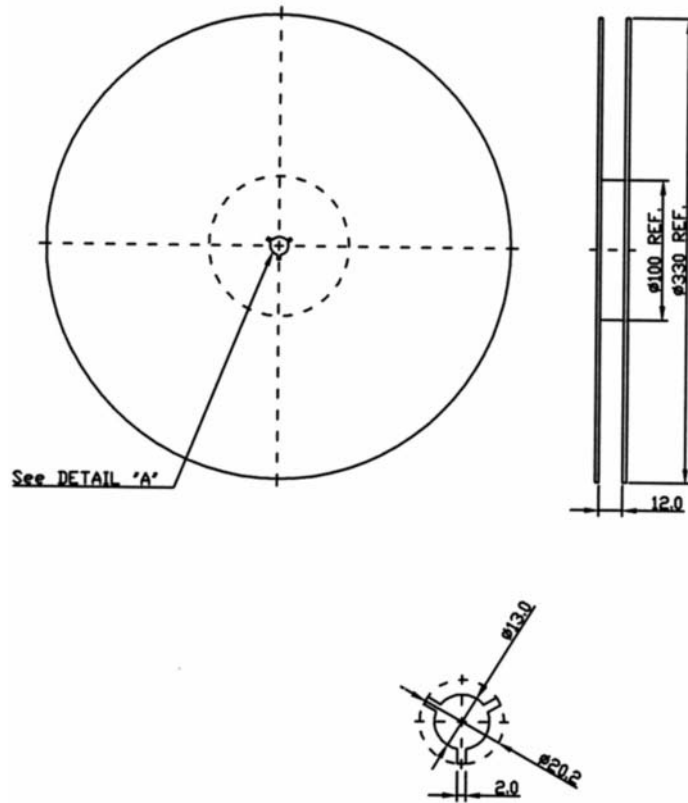


G. Test Circuit:

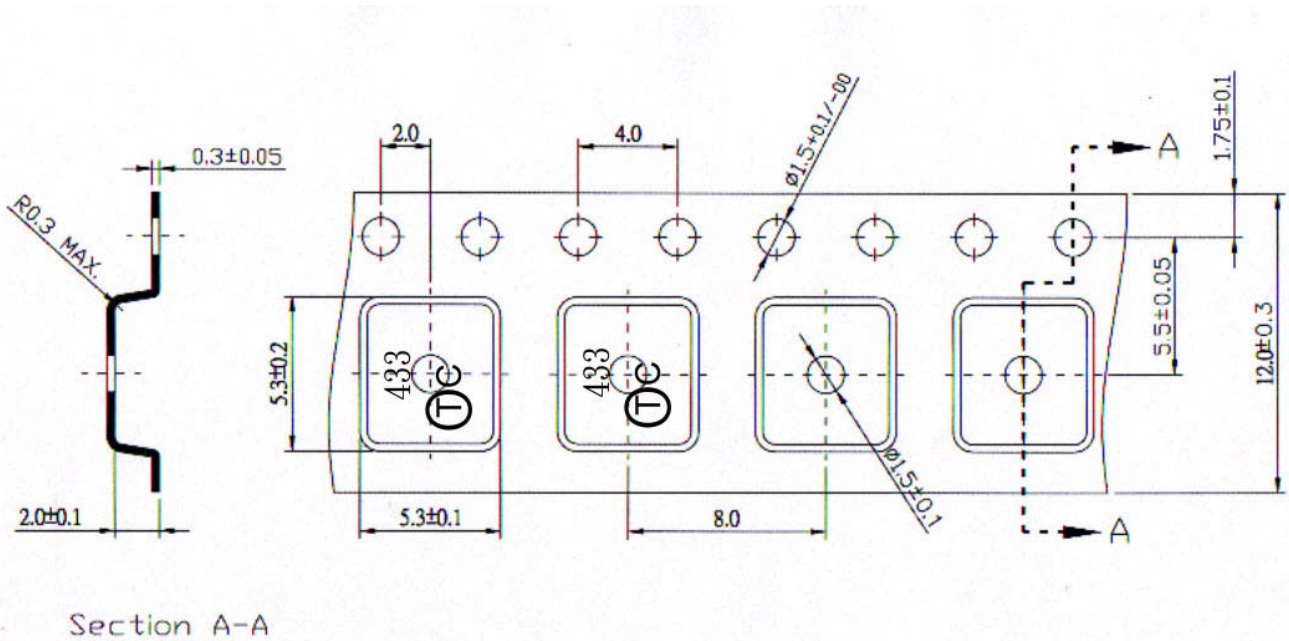


H. Packing:

1. Reel Dimension



2. Tape Dimension



Section A-A