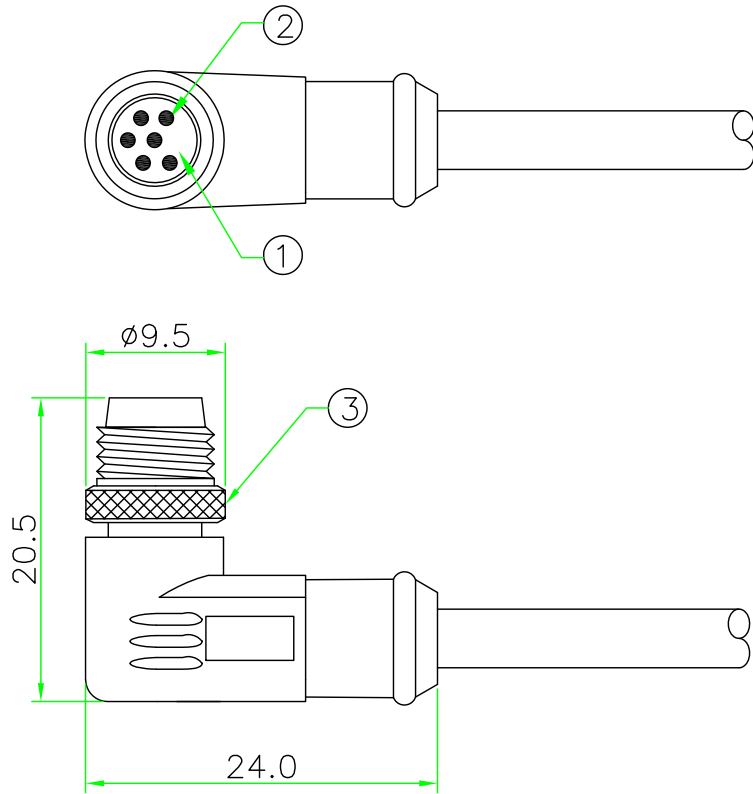


RoHS

IP66-68



| REV. | DESCRIPTION | DATE |
|------|-------------|--------------|
| A | ISSUE | July/01/2008 |
| A1 | Add Item | Apr/30/2015 |
| | | |
| | | |

Ref.

NOTES:

1. ELECTRICAL CHARACTERISTICS:

CURRENT RATING: 1.5A / 3A

TEMPERATURE RANGE: -20°C TO +80°C

DIELECTRIC WITHSTANDING VOLTAGE:

500V AC FOR ONE MINUTE

2. HOW TO ORDER: A08x-M1xxRN

02 - 2 PINS 05 - 5 PINS

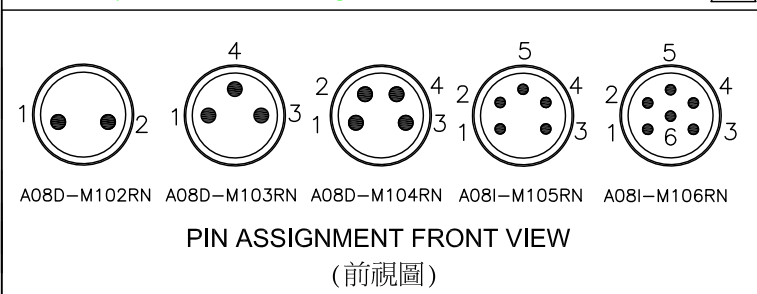
03 - 3 PINS 06 - 6 PINS

04 - 4 PINS

I - CURRENT RATING 1.5A

D - CURRENT RATING 3A

*Cable specification and length can be customized.



| 3 | RING NUT | Brass, Nickel plated. | | 1 | |
|-----|-----------|---|-------|------|---------|
| 2 | CONTACT | Brass, 6 u" Gold plated . Male Contact. | | N | |
| 1 | CONNECTOR | M8 A-Coding Male Connector Insert.NYLON+GF. | BLACK | 1 | |
| No. | PART NAME | DESCRIPTION | COLOR | Q'TY | REMARKS |

| HOLIN® HTP ASIA TECHNOLOGY CO., LTD. 禾凌科技股份有限公司 | | | | | |
|--|----------|--|--|-----------|--|
| | UNIT: mm | TITLE : M8 A-Coding Male R/A molded cable | | | |
| SCALE | 2:1 | P/N: A08x-M1xxRN | | | |
| UNLESS OTHERWISE SPECIFIED TOLERANCES: | | .X ± 0.25 .XX ± 0.1 | | DR. Patty | |
| .XXX± 0.05 ANGLE ± 1° | | REV. SHEET | | CH. ERIC | |
| A1 | 1/1 | DWG.NO: A08x-M1xxRN | | AP. | |