

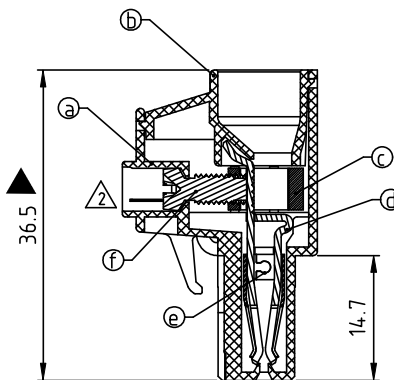
ET xx 0 2 x 2 xxxx G

No. OF POLES
02: 2 POLES
:
16: 16 POLES

COLOR

- 0 Black (RAL9005)
- 2 Red (RAL3001/D)
- 3 Orange(RAL2011/P)
- 4 Yellow(RAL1018/A)
- 5 Green(RAL6018/T)
- 6 Blue (RAL5015/A)
- 8 Grey(RAL7035/D)
- 9 White(RAL1102)
- C Green(RAL6018/U)

G RoHS compliant (lead<4%)
In copper Alloy
0000: "@" Logo (Standard)
000A: "ANYTEK" Mark
Any special item by customer request. please contact sales department.



SIGN	DATE	DESCRIPTION	APPROVER
△	03/23/09	modify specification	Jacke
△	2009.09.18	The design is changed	Jacke
△	2009.12.25	The Material is changed from PhBz to Copper	Jacke
△	2010.04.18	The flange Screw is changed	Jacke
△	2010.04.18	The Grey code changed from RAL7004/P to RAL7035/D	Jacke
△	2010.05.26	The flange screw is changed from "-" type to "+/-" type	Jacke
△	2012.09.07	Added TUV standard	Chen Bo
△	2013.11.08	Added the product description	Chen Bo

THIS IS CAD DRAWING, DO NOT REVISE MANUALLY!!!

Material:

- Item ⑥ Terminal(housing): Thermoplastic (UL94V-0)
 - Item ⑦ Terminal(cover): Thermoplastic (UL94V-0)
 - Item ③ Clamp: Brass Ni plated
 - Item ④ Female contact : Copper. Tin plated
 - Item ⑤ Wire guard: Stainless steel
 - Item ① Terminal Screw: Steel , zinc plating " * " slot type
 - Item ② With flange Screw: Steel Zinc plating M3"+/-" slot type
- Electrical:
- | | | |
|--------------------------|-----------------|----------------------|
| | cULus | TUV |
| ● Voltage rating: | 300 V | 800V |
| ● Current rating: | 32 A | 32A |
| ● Wire range: | | 0.2-6mm ² |
| ● Solid wire(AWG): | 8-24 | |
| ● Stranded wire(AWG): | 8-24 | |
| ● Torque: | 7 LB-In | 0.8N.m |
| ● Screw: | M3.5 | |
| ● Wire strip length: | 10-11 mm | |
| ● Withstanding Voltage: | 1.6KV | 6KV |
| ● Operating temperature: | -40°C to +115°C | |
- Safety Approval:
- Critical dimension: ▲

DIM		TOL			
		2P-4P	5P-8P	9P-12P	13P-16P
Dim L	N×7.62	±0.15	±0.20	±0.30	±0.40
Dim P	(N-1)×7.62	±0.15	±0.20	±0.30	±0.40
Dim C	(N+2)×7.62	±0.15	±0.20	±0.30	±0.40

Amphenol ANYTEK				CUSTOMER COPY	
ALL RIGHTS RESERVED. REPRODUCTION OR ISSUE TO THIRD PARTIES IN ANY FORM WHATSOEVER IS NOT PERMITTED WITHOUT WRITTEN AUTHORITY FROM THE PROPRIETOR. PROPERTY OF ANYTEK TECHNOLOGY CO., LTD					
TITLE	ET-7.62 W/Flange Series " * " (Match VC series) ▲			DWG NO. 8ET0005	
PART NO.	ETxx02x2xxxxG			CUST NO.	
APPROVED	CHECKED	DESIGNED	DRAWN		
		Chen Bo 11/08`13	Chen Bo 11/08`13		
				UNIT: mm	X. ±0.50
				SCALE: NONE	X.X ±0.30
				SHEET: 01/01	X.XX ±0.10
				REV. I	X° ±1°