



SIGN	DATE	DESCRIPTION	APPROVER
△	01/24'07	The Soldering temperature from 245° to 250°	Aaron
△	01/24'07	Add "VDE" stipulation	Aaron
△	05/19'09	wire strip length changed from 6-7mm to 9-10mm	Eris
△	05/19'09	Temperature changed from -30°C-105°C to -40°C-115°C	Eris
△	05/19'09	The tolerance of dimension is changed	Eris

THIS IS CAD DRAWING, DO NOT REVISE MANUALLY!!!

**Material**

- Item 1 Insulating body Thermoplastic (UL94V-0)
- Item 2 Insulating cover Thermoplastic (UL94V-0)
- Item 3 Insulating lever Thermoplastic (UL94V-0)
- Item 4 Contact pin Brass, Tin plated
- Item 5 Spring clamp Stainless steel

△ **Electrical cULus/VDE**

- Voltage rating: 300VAC/250VAC
- Current rating: 10A/9A
- Wire range: 0.5-0.75mm<sup>2</sup>
- Solid wire(AWG): 16-20
- Stranded wire(AWG): 16-20
- Pull force:
- Screw:
- △ ● Wire strip length: 9-10mm
- Withstanding Voltage: 1.6KV/2KV
- △ ● Operating temperature: -40°C to +115°C
- △ ● Soldering temperature: 250°C±10°C/5 Sec
- Safety Approval:  

**PART NO.**

HB xx 31 x 0 xxxx G

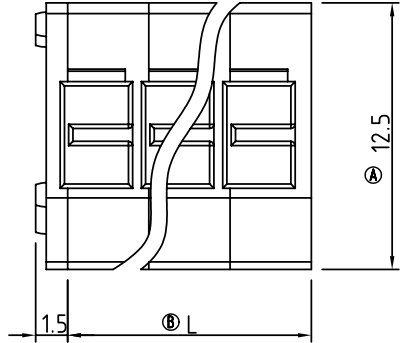
- Poles: 02 2Contacts, 03 3Contacts, 24 24Contacts
- Color: 0 Black, 2 Red, 5 Green(RAL6018/T), 8 Grey(RAL7004/P)
- 0000 Standard @ Logo, 000A Standard ANY Logo
- Any special item by customer request, please contact sales department.
- G: Pb<40,000ppm

**ANYTEK**

**CUSTOMER COPY**

ALL RIGHTS RESERVED. REPRODUCTION OR ISSUE TO THIRD PARTIES IN ANY FORM WHATSOEVER IS NOT PERMITTED WITHOUT WRITTEN AUTHORITY FROM THE PROPRIETOR. PROPERTY OF ANYTEK TECHNOLOGY CO., LTD

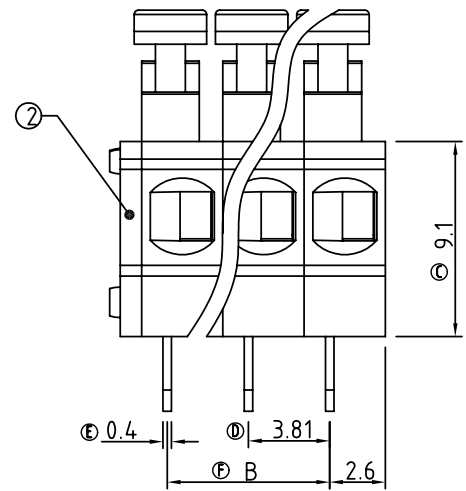
TITLE		HB-3.81mm series			DWG NO.		8HB0301	
PART NO.		HBxx31x0xxxxG			CUST NO.			
APPROVED	CHECKED	DESIGNED	DRAWN			Tolerance		
		Eris 2009.05.19	Eris 2009.05.19			UNIT: mm	X. ±0.50	
						SCALE: NONE	X.X ±0.30	
						SHEET: 01/01	X.XX ±0.10	
						REV.: F	X° ±1°	



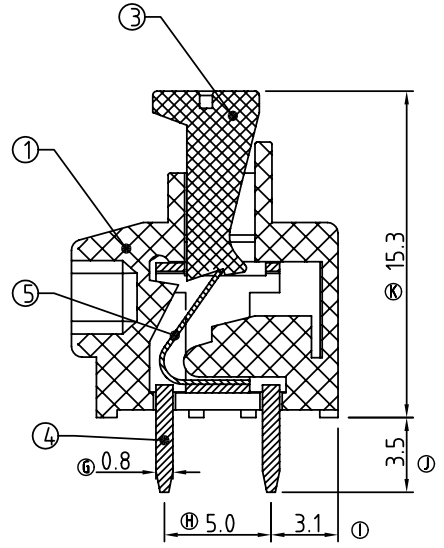
N = Number of poles

DimL=N×3.81  
DimB=(N-1)×3.81

POLES	L	B
2p-6p	±0.2	±0.15
7p-12p	±0.3	±0.25
13p-18p	±0.4	±0.35
19p-24p	±0.45	±0.4



N=Number of contacts



**P.C.B LAYOUT**

