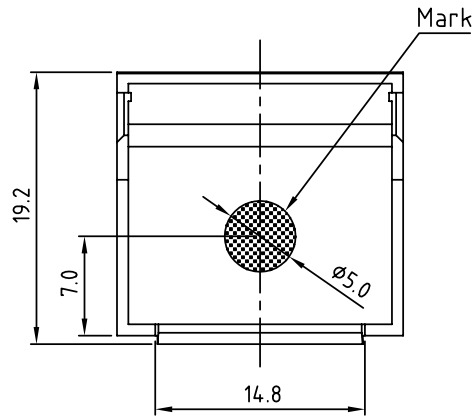
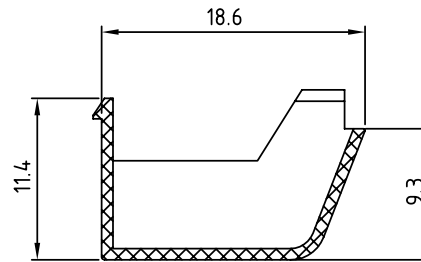
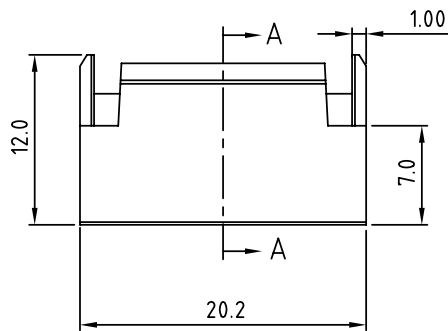
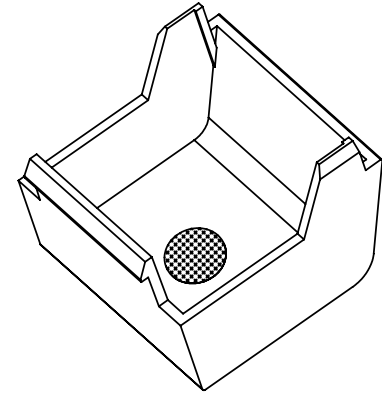


SIGN	DATE	DESCRIPTION	APPROVER
<i>THIS IS CAD DRAWING, DO NOT REVISE MANUALLY!!!</i>			



Material

- Insulator (housing): Thermoplastic (UL94V-0)



Section A-A

ANYTEK

CUSTOMER COPY

ALL RIGHTS RESERVED. REPRODUCTION OR ISSUE TO THIRD PARTIES IN ANY FORM WHATSOEVER IS NOT PERMITTED WITHOUT WRITTEN AUTHORITY FROM THE PROPRIETOR. PROPERTY OF ANYTEK TECHNOLOGY CO., LTD

TITLE		ANAA series coding key match-AN				
PART NO.		ANAA00600000G		DWG NO.		8ANAA0001
APPROVED	CHECKED	DESIGNED	DRAWN	CUST NO.		Tolerance
		Runner	Runner			X. ±0.50
		2010.08.12	2010.08.12			UNIT: mm
				SHEET: 01/01		X.XX ±0.10
				REV: A		X° ±1°