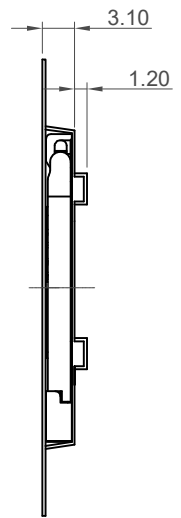
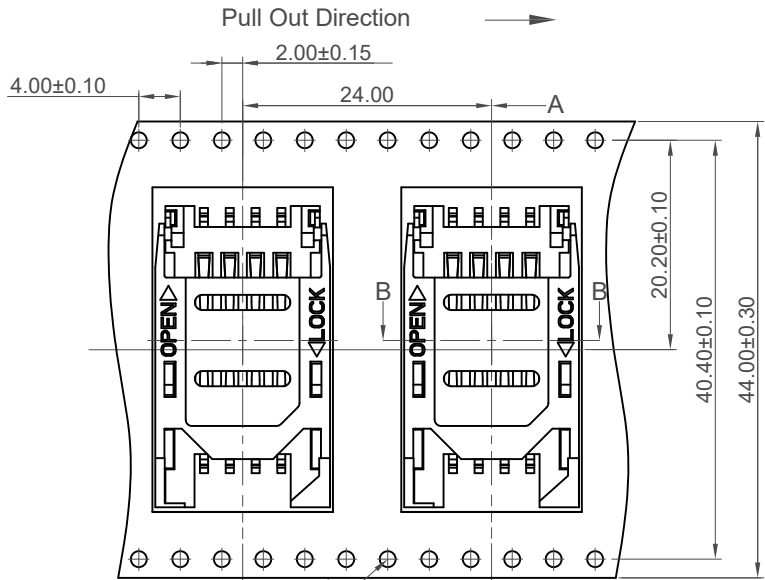
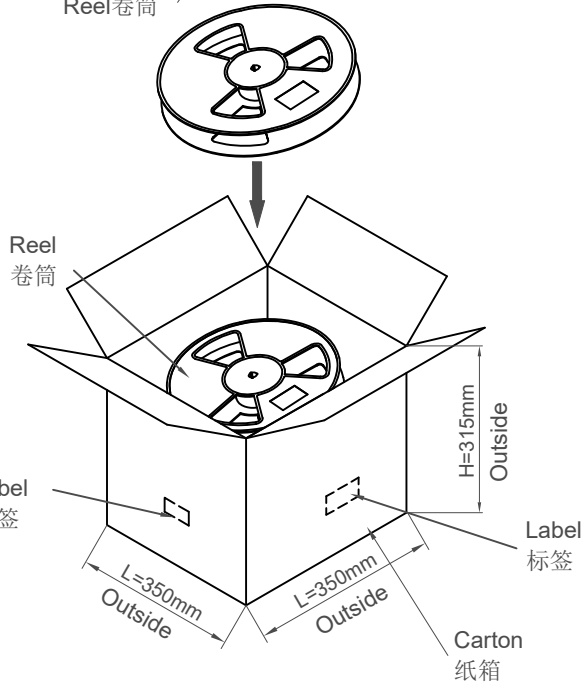
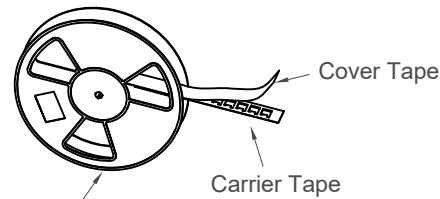


Gross Weight: 1.50kgs
Quantity: 800 Pcs per Reel



Pull Out Direction →



Gross weight: 9.53KGS
Quantity: 4800 Pcs per carton(6 Reels set in order)
Dimensions: 35.00L X 35.00W X 31.50H cm

Part Number		Product Description	
SIM5060		SIM Card Connector, Hinged Type	
Drawing Date		6 or 8 Pin, SMT, 2.6mm Profile, Optional Locating Post	
13th December 2010			
By	CC	Tolerances (Except as Noted)	Units:
Detail	Drawing Release	Length	Metric (mm)
Revision	C2	Angle	
Date	28/07/16	X. ± 0.30	
		X.X ± 0.25	X.° ± 1°
		X.XX ± 0.15	X.X° ± 0.5°
		X.XXX ± 0.050	X.XX° ± 0.25°
		3rd Angle Projection	
<p>This drawing is confidential and copyright of Global Connector Technology, Ltd (GCT). This drawing must not be copied or disclosed without written consent. E & OE</p>			

GCT
Global Connector Technology
www.gct.co

Not to Scale	Drawn By AJO	Sheet No. 2/2
--------------	--------------	---------------