


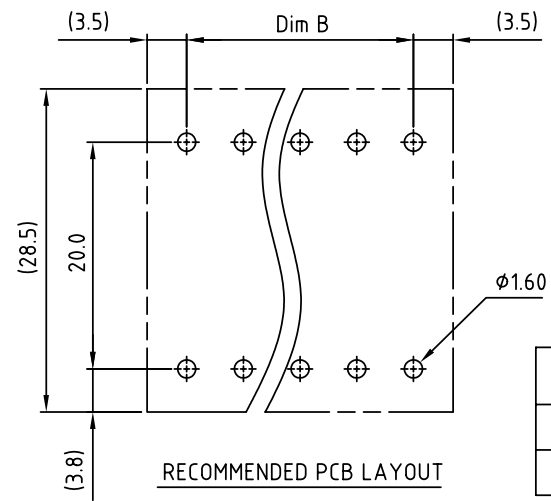
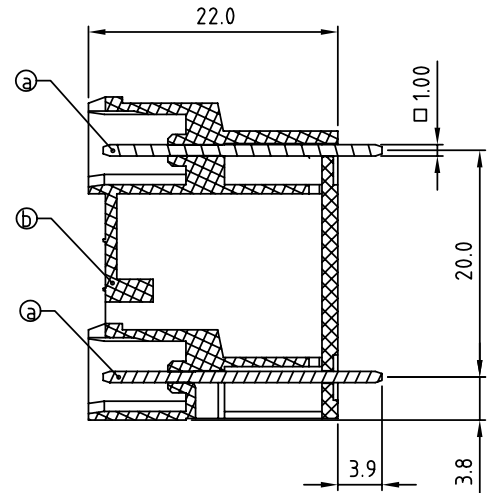
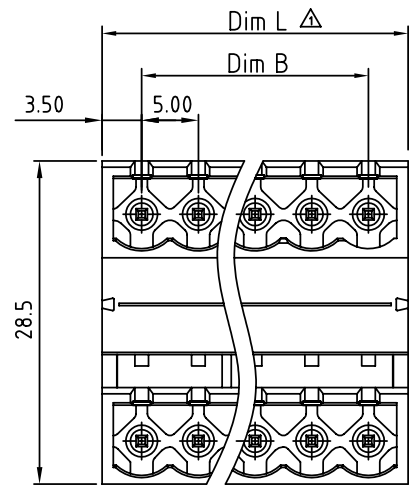
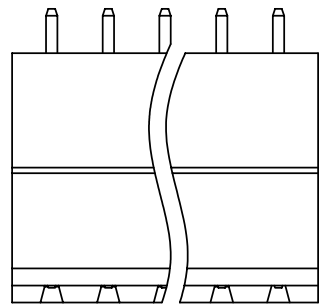
SIGN	DATE	DESCRIPTION	APPROVER
△	1/29'07	Dim. L changed	Tony
△	1/29'07	Soldering temperature changed from 245° to 250°	Tony
△	8/01'08	Operating temperature changed	Marvin

THIS IS CAD DRAWING, DO NOT REVISE MANUALLY!!!

Material:

- Item ③ Contact pin: Brass(CuZn) Tin plated
- Item ⑤ Terminal(housing): Thermoplastic (UL94V-0)

- Electrical: cULus
- Voltage rating: 300V
 - Current rating: 20A
 - Withstanding Voltage: 1.6 KV
 - △ ● Operating temperature: -40°C to +115°C
 - △ ● Soldering temperature: 250°C±10°C/5 Sec
 - Safety Approval: 



N=NUMBER OF CONTACTS

DIM		TOL			
		2--6P	7--12P	13--18P	19--24P
Dim L	(N-1)×5.0+7.0	±0.15	±0.25	±0.35	±0.40
Dim B	(N-1)×5.0	±0.15	±0.25	±0.35	±0.40

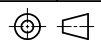
VL xx 7 1 x 0 xxxx G

- No. OF POLES: 04: 2x2 POLES; 48: 2x24 POLES
- COLOR: 0 Black (RAL9005); 2 Red (RAL3001/D); 3 Orange(RAL2011/P); 4 Yellow(RAL1018/A); 5 Green(RAL6018/T); 6 Blue (RAL5015/A); 8 Grey(RAL7035/D)
- G: Pb<40000ppm
- 0000: "@ " Logo
- 000A: "ANYTEK" Mark
- Any special item by customer request. please contact sales department.

ANYTEK

CUSTOMER COPY

ALL RIGHTS RESERVED. REPRODUCTION OR ISSUE TO THIRD PARTIES IN ANY FORM WHATSOEVER IS NOT PERMITTED WITHOUT WRITTEN AUTHORITY FROM THE PROPRIETOR. PROPERTY OF ANYTEK TECHNOLOGY CO., LTD

TITLE		VL-5.0mm Vertical Series			
PART NO.	VLxx71x0xxxxG	DWG NO.	8VL0202		
APPROVED	CHECKED	DESIGNED	DRAWN	CUST NO.	Tolerance
	Marvin 2008.08.01	Marvin 2008.08.01	Marvin 2008.08.01		X. ±0.50 X.X ±0.30 X.XX ±0.10 X° ±1°
					UNIT: mm
				SHEET: 01/01	SCALE: NONE
				REV.: E	